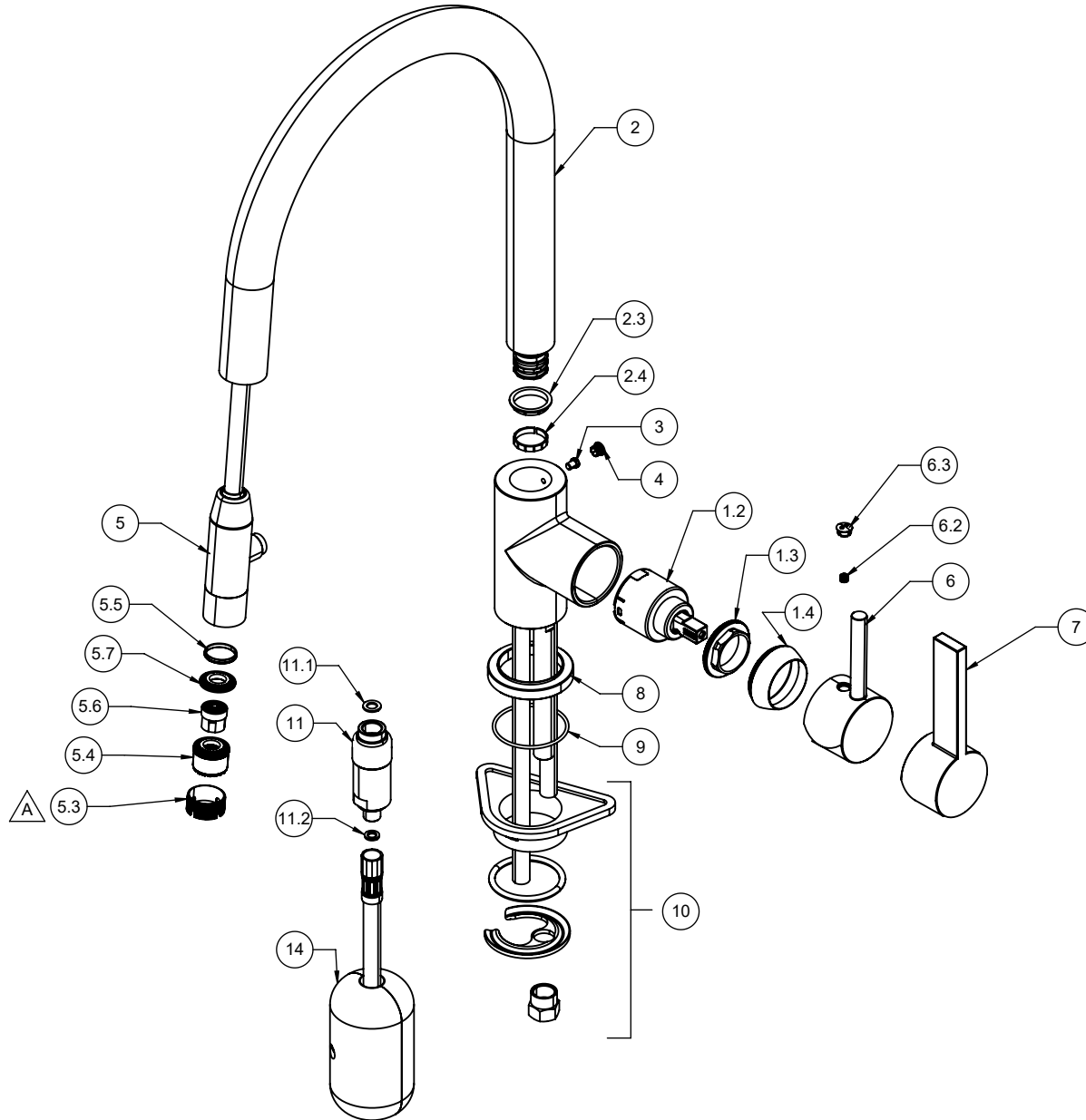


△ REQUIRES ITEM 42



To order spare parts add and/or replace as stated below:

SPD- prefix added to part number(s)
-ZZ replaced with finish code (-PC, -SN OR -MBLK)
-WW replaced with **-90** (light finish) or **-96** (dark finish)

Ex: **SPD-7-100463-PC** or **SPD-86030-96**

ITEM	PART NO	DESCRIPTION	QTY.
11	6-200328	ASM, HIDDEN SPRAYER CHECK VALVE W/ WASHERS <i>(incl. 11.1, 11.2)</i>	1
11.1	87344-94	WSHR, Ø6.2 X Ø10.5 X 1.0MM COPPER	1
11.2	87345-94	WSHR, Ø5.5 X Ø8.6 X 1.2MM COPPER	1
14	6-200329	KIT, KITCHEN HOSE WEIGHT 408g	1
42	880317-81	TOOL, AERATOR INSERT	1
43	880007-91	KEY, ALLEN, 2.5MM	1

for ITEM 6.2 & 3

for ST series

for FB series

ITEM	PART NO	DESCRIPTION	QTY.
1.2	880297-99	CART 35MM, SNGL LVR (COLD TO HOT ROTATION)	1
1.3	10564-98	NUT, 35MM CART KIT PACKING	1
1.4	10565-ZZ	BONNET, STD KIT	1
2	7-100642-ZZ	ASM KITCHEN CONCEALED SPRAYER SPOUT <i>(incl. 2.3, 2.4)</i>	1
2.3	10558-81	BUSHING, KIT SPT ADPTR	1
2.4	10557-81	FRICTION RING, KIT SPT ADPTR	1
3	86359-90	SCREW, M5 X 0.8 X 5 MM Ø5.8 SCKT RND HD SS	1
4	11474-81	CAP, KITCHEN SETSCRW BODY PLST	1
5	6-200342	ASM, KITCHEN CONCEALED SPRAYER W/ HOSE <i>(incl. 5.3, 5.4, 5.5, 5.6, 5.7)</i>	1
5.3	880516-97	RETAINING RING, Ø26MM SPRAYER	1
5.4	10807-81	FACEPLATE, G2 PULL OUT SPRAY	1
5.5	11216-81	DISK GASKET, Ø26MM SPRAYER	1
5.6	880303-81	INSERT, AERATOR 16 X 18MM - FULL FLOW	1
5.7	87239-80	GASKET Ø10.00 X Ø21.00 X 3.2MM SILICON (NSF)	1
6	7-100638-ZZ	ASM, KITCHEN ONE PIECE STICK LEVER <i>(incl. 6.2, 6.3)</i>	1
6.2	86136-90	SETSCREW M5X0.8 X 5MM SCKT HD CONE PT SS	1
6.3	11476-ZZ	CAP, KITCHEN HANDLE PLST	1
7	7-100639-ZZ	ASM, KITCHEN ONE PIECE BLADE LEVER <i>(incl. 6.2, 6.3)</i>	1
8	11478-ZZ	BASE RING, CONT KITCHEN <i>(incl. 9)</i>	1
9	87175-80	O-RING Ø41.00 X 1.78 (-030) BUNA-N A70	1
10	6-200330	KIT, M14 KITCHEN MOUNTING HARDWARE	1